

User Guide Compact-7 series



**Boiler-CH**



**Calorifier**



**Combi**

## Introductory remarks

Congratulations on the purchase of your Kabola Compact 7. Kabola has been a manufacturer of oil-fired heating systems since 1947. This user manual is intended to familiarize the user with use of the COMPACT 7. The user must read this manual before bringing the boiler into use and follow the instructions.

**This user manual must therefore be kept safely.**

Section 2 covers the safety instructions that you must follow before installing the boiler. Other sections cover safety instructions that you can recognize as shown below.

**Tip:** A tip gives the user suggestions and advice to be able to carry out certain tasks more easily.

**Note:** The user is given additional information here. Any potential problems are also covered.

**Warning:** Chance of (life-threatening) injuries

You can contact Kabola Heating Systems should you have any remarks, wishes or in the case of any shortcomings. Any suggestion for the improvement of the manual are also always welcome. We wish you every pleasure with your purchase.

Kabola Heating Systems  
Placotiweg 1E  
4131 NL Vianen (Utr.) The  
Netherlands  
Tel. +31 (0)347-320030  
Fax +31 (0)347-355688  
Web: [www.kabola.nl](http://www.kabola.nl)  
Email [info@kabola.nl](mailto:info@kabola.nl)

# Contents

Introductory remarks	3
Contents	3
1 Introduction	4
1.1 General	4
1.2 Area of application	4
1.3 Description of the boilers	4
1.4 Technical specifications	4
1.5 Guarantee provisions	4
2 Safety	5
2.1 General safety	5
2.2 Safety instructions	5
3 Transport and storage	6
3.1 Transport	6
3.2 Storage	6
4 Installation and bringing into use	7
4.1 Installation	7
4.1.1 Installing the boiler	7
4.1.2 Connection to the central heating system	7
4.1.3 Flue gas extraction	9
4.1.4 Electrical connection	11
4.1.5 Filling the central heating system for the Compact 7 central heating boiler	13
4.1.6 Connecting the oil filter	14
4.2 Bringing into use	15
5 Operation	16
6 Cleaning and maintenance	19
6.1 Points for special attention	19
6.2 Cleaning and maintenance	19
7 Disposal	19
Annex A Technical specifications	20
Annex B Electrical diagram 230 V Compact 7 central heating boiler	21
Annex C Electrical diagram 230 V Compact 7 Boiler and Combi boiler	22
Annex D Troubleshooting	23
Annex E Boiler parts and burner parts	24
Annex F EC declaration	26
Annex G Guarantee	27

# 1 Introduction

## 1.1 General

This user manual is intended for both the installer and the end user of the Kabola COMPACT 7 heating boiler. There is a wide range of COMPACT 7 heating boilers with a broad range of applications. With this purchase you obtain a product of the highest quality due to the practical application of the latest European standards and directives and modern technologies. Kabola Heating Systems BV has been developing and producing heating systems in the Netherlands since 1947.

Use the manual for both installation and while maintaining and replenishing your heating system. Save the manual carefully for future use. You can obtain a digital copy at any time by mailing [info@kabola.nl](mailto:info@kabola.nl) or by downloading from the website [www.kabola.nl](http://www.kabola.nl).

## 1.2 Area of application

The COMPACT 7 central heating boiler is intended to supply heat to heat water (or coolant) in a central heating system and/or in combination with the Kabola hot air system.

The COMPACT 7 BOILER with boiler control is intended to heat both the heating system and hot water using a boiler vessel.

The COMPACT 7 COMBI boiler is intended to heat the heating system and hot tap water without a boiler vessel.

The boilers are not intended to directly heat the space in which they are installed. Heating only takes place using radiators, a hot air system, underfloor heating and/or any custom-made airco systems in which the Kabola COMPACT 7 is integrated. When using the boilers account must be taken of the dimensions of the spaces to be heated.

So always carry out a capacity calculation beforehand or take advice.

## 1.3 Description of the boilers

The COMPACT 7 boiler heats the boiler water by means of an oil burner assembled on the boiler. The boilers are supplied as standard as a 230 V design (also see the technical specifications in annex A).

Domestic fuel oil 1, domestic fuel oil 2, diesel or gas oil must be used as fuel. Should you want to use biofuels or mixtures ask for additional advice. These fuels are being developed at speed and have advantages and disadvantages with which account must be taken.

## 1.4 Technical specifications

You can find the most important specifications on the type plate attached to the right-hand side of the boiler. The address of the manufacturer is also mentioned here. You can find the full technical specifications on pages 20-22.

## 1.5 Guarantee provisions

We refer you to the guarantee certificate for the guarantee provisions.

**It is very important that the boiler is brought into use after installation, and that stipulated in the protocol for bringing into use is returned to Kabola Heating Systems BV in Vianen.** You are then covered by the guarantee.

## 2 Safety

This section includes a summary of points from the manual concerning safety for the procedures you will follow.

### 2.1 General safety

**Warning:** Kabola Heating Systems designs and builds its products according to the current best available techniques. However, it is possible that dangers may occur that can result in injuries or damage to the boilers if the safety instructions are not followed.

The user must:

- Have read and understood the 'Safety' section;
- Not carry out any activities that may endanger health;
- Not carry out any activities that may cause damage to the boiler;
- Ensure that the boiler is only used when it is in a technically good condition and has been installed in the correct way;
- Ensure that the safety measures are complied with during use of the boiler.

**Note:** No changes may be made to the boilers without the explicit written permission of Kabola Heating Systems!

### 2.2 Safety instructions

The safety instructions specified below must be followed when using the he COMPACT 7 boiler.

#### MEASURES FOR SAFE INSTALLATION

- Do not place any flammable and/or gaseous substances that may cause danger of explosion or fire in the space where the boiler is or is to be installed.
- Install the boiler in a moisture-free space on a strong, horizontal surface.
- Fasten the boiler with the assembly bolts (M5) supplied for that purpose.
- Ensure sufficient ventilation in the space where the boiler is installed (see § 4.1.1).
- Provide an earthed wall socket (230 V AC) for the connection of the boiler.
- Before you start connecting make sure there is no voltage on the system.
- For the electrical connections and thermostat connections only use multi-core cables with flexible core (minimum 0.75 mm<sup>2</sup>).

#### MEASURES FOR SAFE USE

- Never change the burner settings on your own initiative.
- When cleaning the boiler do not use any aggressive cleaning products that may corrode the boiler.
- Have the boiler settings checked each year by a specialist installer.
- Before you start working on the boiler make sure there is no voltage on the system.
- Collect any oil that may be released.
- It is recommended to only have maintenance and repair activities carried out by specialist and Kabola-certified persons.

## **3 Transport and storage**

### **3.1 Transport**

Take the following measures before the boiler is transported:

- Drain off the boiler water.
- Disconnect the fuel system.
- Disassemble the burner if required (see § 4.1.6, burner assembly).

During the transport of the boiler the following points must be observed:

- Make sure that the casing cannot be damaged. Use a blanket for example.
- Transport the boiler upright with the base below.

### **3.2 Storage**

When the boiler is to be stored for longer time one must proceed as follows:

- Make sure that the boiler and accessories are stored in a dry and frost-free place.
- Disassemble the burner if required (see § 4.1.6, burner assembly).
- Make sure that the boiler is placed upright.
- Make sure that the boiler is stable.

## 4 Installation and bringing into use

In this section you can find instruction and tips for the correct placing and connection of the boiler and the associated equipment.

**Warning:** Do not place any flammable and/or gaseous substances that may cause danger of explosion or fire in the space where the boiler is or is to be installed.

### 4.1 Installation

#### 4.1.1 Placing the boiler

- **Place the boiler in a moisture-free space.**
- Place the boiler on a strong, horizontal surface and fasten it firmly with the angle brackets and M5 bolts supplied.
- Ensure sufficient ventilation in the space where the boiler is to be installed.
- As a general rule for determining the diameter of the ventilation opening you can use 2.5 times the diameter of the flue gas outlet (at least 150 mm).
- Secure the base of the boiler against slipping using an angle bracket with bolts or tack-welding.
- Make sure there is a distance between the outlet and the wall of at least 10-20 mm because of the heat transfer from the flue gas outlet.
- Ensure sufficient space around the boiler for service and maintenance work.
- Provide an earthed wall socket (230 V AC) for the connection of the boiler.

#### 4.1.2 Connection to the central heating system

##### PIPING

When assembling the piping the following points must be respected:

- Assemble the piping in such a way that the boiler and control panel remain accessible;
- Ensure sufficient ventilation in places where air can accumulate.

**Note:** Ensure ventilation if the piping does not slope upwards.

##### EXPANSION TANK

An expansion tank must always be assembled with a closed central heating system (pressure system).

- Always assemble the expansion tank in the return pipe (see fig 2) as near as possible to the boiler.
- The size of the expansion tank is approximately 10% of the total water capacity of the whole system. For example; with a volume of 120 litres, assemble a 12-litre expansion tank.

### Compact 7 central heating boiler (figure 1)

Connection of piping to the Compact 7 boiler takes place as follows:

1. Assemble the central heating supply pipe at point 1;
2. Assemble the central heating return pipe at point 2;
3. Fit the separately supplied T-piece with filler valve in the return pipe (2).
4. Assemble the separately supplied filler tap and drain combination at point 4 (see fig 1).

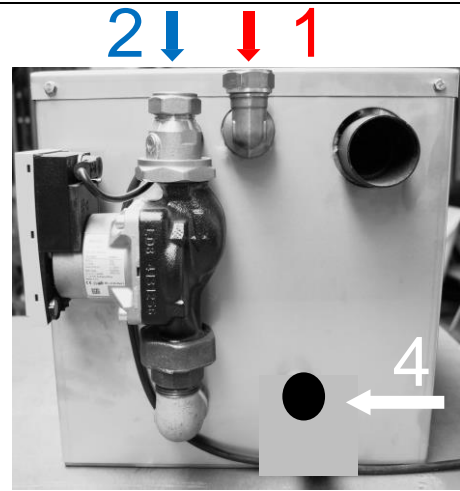


Figure 1

### Compact 7 boiler (figure 2)

Connection of piping to the Compact 7 boiler takes place as follows:

- 5 Assemble the central heating supply pipe at point 1;
- 6 Assemble the central heating return and boiler pipe at point 2;
- 7 Assemble the boiler supply pipe at point 3;
- 8 Assemble the separately supplied filler tap and drain combination at point 4 (see fig 3).

**Note:**

**A boiler thermostat must always be fitted**  
(available from Kabola Heating Systems)

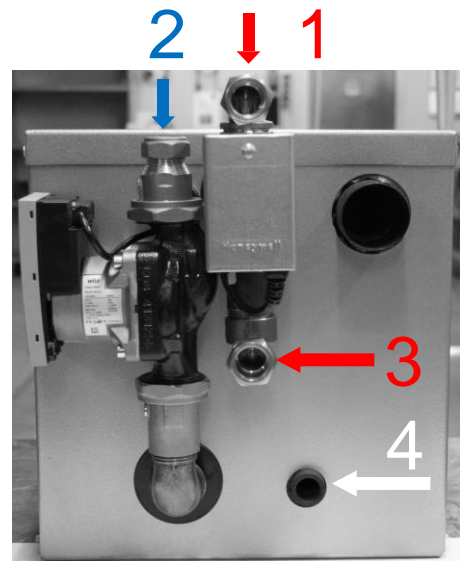


Figure 2

### Compact 7 combi boiler (figure 3)

The connection of piping to the Compact 7 combi boiler takes place as follows:

1. Assemble the central heating supply pipe at point 1;
2. Assemble the central heating return pipe at point 2;
3. Assemble the separately supplied filler tap and drain combination at point 4;
4. Assemble the hot sanitary water pipe at point 5 (output);
5. Assemble the cold sanitary water pipe at point 6 (input);

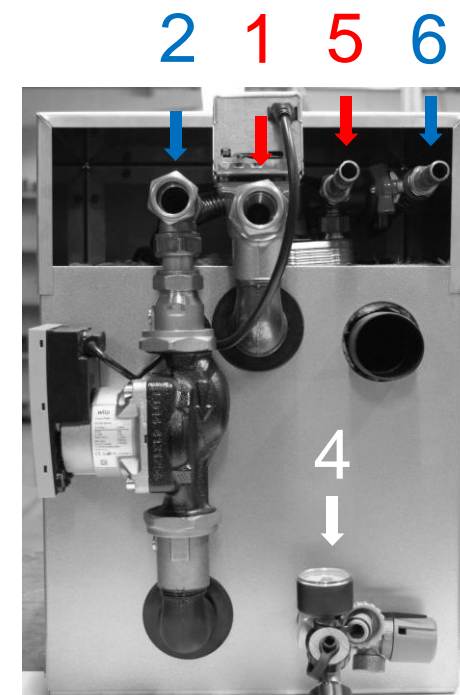


Figure 3



### 4.1.3 Flue gas extraction

#### GENERAL

Flue gas extraction is an essential part of your heating installation. Well-assembled flue gas extraction considerably extends the working life of your heating boiler and has a positive effect on heating efficiency.

**Warning:** Because in most cases the flue gas temperature is higher than 180 °C, it is desirable to insulate the outlet with heat-resistant material in places where contact with body parts is possible. These are available from Kabola Heating Systems B.V.

- Ensure the correct length/diameter proportions. We advise assembling a flue gas outlet with a diameter of 50 mm and a maximum length of 3 metres.
- On sailing and seagoing vessels we advise using a vertical flue gas discharge system (see fig 5).

#### AUTOMOTIVE APPLICATION

With the installation of the heating system for an application not for use on water, one can decide to keep the flue gas outlet as short as possible.

#### HORIZONTAL OUTLET WITH SKIN FITTING

It is possible to bring the flue gas outlet horizontally from the boiler through the wall. The following points must then be respected:

- The maximum permitted length without bends is 3 metres.
- Make sure that the outlet is amply above the water level. If this is not possible use a curved construction (a swan neck as pictured on the right in figure 4).
- Use a skin fitting (single- or double-walled) to bring the flue gas outlet through the wall.
- Use as few as possible bends, no more than 3 bends of 90 °.

**Tip:** If with the existing assembled flue gas outlet you have a larger diameter than the diameter of the flue gas outlet from the boiler, we recommend assembling a flexible flue gas outlet (50 mm diameter) in the existing flue gas outlet. The necessary adaptors and auxiliary parts are available from Kabola Heating Systems B.V.

**Warning:** When using a flue gas outlet longer than prescribed it is possible that condensation water may originate in the outlet. It is very important that the condensation water does not form a water trap with the flue duct becoming blocked (as pictured on the left in figure 4).

Using a swan neck (as pictured right in figure 4) prevents water from entering the flue duct from outside.

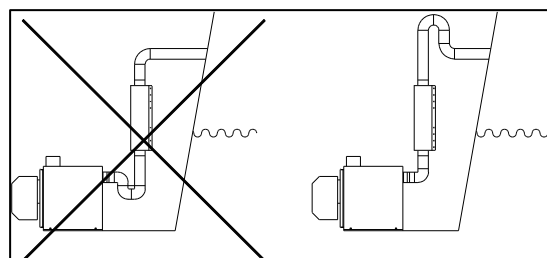


Figure 4

## VERTICAL OUTLET

This discharge method is the preferred choice for seagoing vessels and yachts. This is because these vessels can be at large inclinations caused by waves and can list. For this discharge method the following points are important:

- Fit a rain-proof cowl on the end of the pipe (see fig 5).
- Use deck holes to bring the flue duct through the deck and the ceiling.
- Keep the flue gas outlet as vertical as possible.
- Use no more than 3 bends of 90 °.
- Fit a drain piece.
- The maximum permitted length with a vertical system is 5 meters.
- **With a vertical outlet always use a drain!**

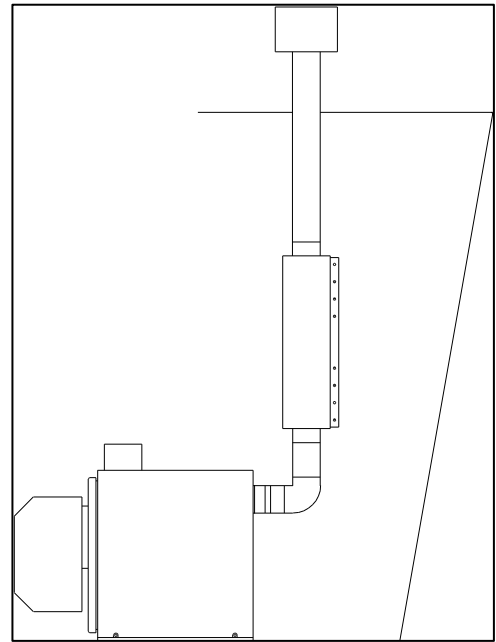


Figure 5

**Tip:** Kabola can manufacture a deck hole at an angle so the flue is straight as custom work.

## FLUE GAS MATERIALS

Kabola can supply all flue gas materials to simplify installation such as:

- Stainless steel cowls;
- Flexible stainless steel flue gas hose;
- Stainless steel discharge pipes (from diameter 70 mm);
- Stainless steel deck holes for ceiling and deck;
- Stainless steel flue gas dampers;
- Drain pieces;
- Hose clips;
- Stainless steel adaptors;
- Skin fittings;
- Insulation sleeves (per meter)

**Always install a drain with tap directly on the boiler**  
(See Figure 5.a)

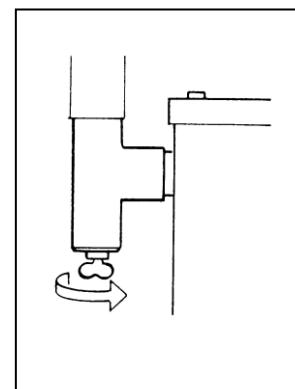


Figure 5.a

#### 4.1.4 Electrical connection

**Warning:** Make sure there is no voltage on the system when you start connecting. Only use multi-core cables with flexible core (minimum 0.75 mm<sup>2</sup>). **The available voltage must of the same quality as normal shoreside power.**

**Tip:** If you use a transformer we advise using a 900W sine wave transformer.

Do not place the room thermostat near a heat source.



Figure 6

#### Compact 7 central heating boiler

##### Connection of the room thermostat (Figure 6)

Use a 2-core 0.75 mm insulated cable for the connection of the room thermostat. Connect the room thermostat as follows:

- Remove the front of the room thermostat;
- Connect the two thermostat wires at point Lx and L1 (see fig 7).



Figure 7

## Compact 7 boiler and combi boiler

### Connecting the room thermostat and the hot water on/off function

Use a 4-core 0.75 mm<sup>2</sup> insulated cable for the connection of the room thermostat (with the hot water on/off function). Connect the room thermostat as follows:

- Remove the right-hand plug behind the dashboard (see fig 12);
- Remove the cover from the plug;
- Connect the room thermostat wires to T1 and T2 as shown on the sticker on the plug (see fig 11);
- Connect the wires for the hot water on/off function to points S3 and B4 as shown on the sticker on the plug (frost guard) (see fig 11);
- The two calorifier thermostat wires only need to be connected to points L1 and N (see fig. 11) with the calorifier control boiler;
- Remove the front of the room thermostat;
- Connect the wires in the thermostat to Q14 and Q11 (see fig 10);
- Connect the hot water on/off function to points Q21 and Q22 in the thermostat (see fig 10);
- If the tap is visible in the display hot water is switched on. If not it is switched off.

Figure 9



Figure 10

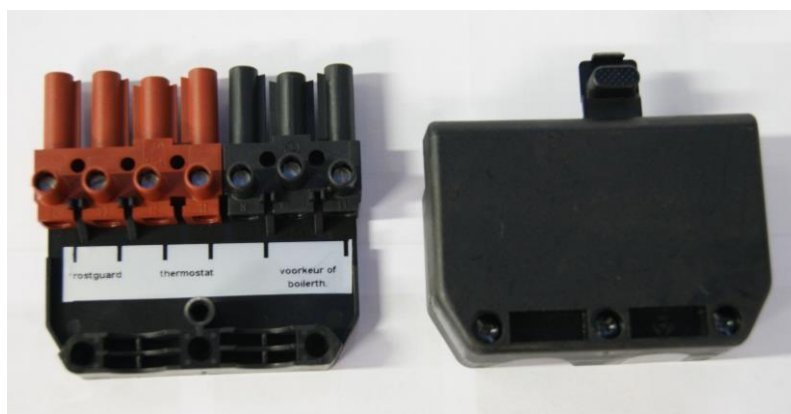


Figure 11



Figure 12

Right-hand plug

#### 4.1.5 Filling the central heating system

The loose fill and drain combination is mounted at point 4 (see figure 2, page 8). Connect your hose on to open the fill and drain combination black button. Open tap the left and put the kettle on 2 bar pressure (see pressure gauge). Vent the entire heating system and put the heating system is between 1.5 and 2 bar pressure.

Add 230 volt voltage to the system by inserting the plug into the earthed electrical socket.

#### Bleeding the circulation pump

- Adjust the temperature of the room thermostat higher than the ambient temperature (for example, 5 degrees higher);
- Set the on / off switch (button lights);
- Put the heating pump in automatic venting position. Control knob to 12 hours (see Figure 9);
- Turn a quarter of a turn the red button after about 5 minutes, to position 3 (see Figure 10);
- Check the entire system for air and check the pressure (fill if necessary).

#### Tip:

If you do not live permanently on board we recommend to fill the heating system with coolant. The cooling liquid must be suitable for heating systems (pH value 8.5). For more information please contact your dealer or Kabola, Netherlands

- See manual from the circulation pump.

**Attention:** When locking pump couplings are supplied with the boiler, the adjusting grooves must point towards the pump.

Venting mode: Turn switch on 12 o'clock (light flashes)



Figure 9

Operating mode: Turn switch at +/-position 3 (the light will burn continuous)



Figure 10

#### 4.1.6 Connecting the oil filter

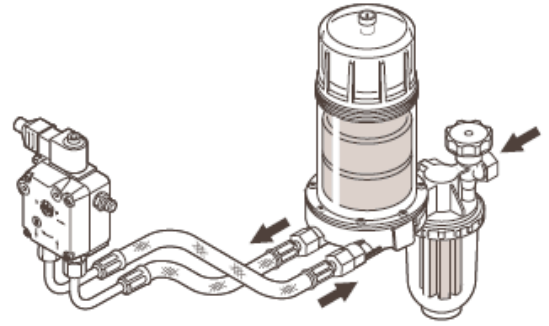


Figure 14

Proceed as follows to connect the oil filter (see fig 14):

- Fit the oil filter higher than the oil pump;
- Connect the oil pipe directly from the fuel tank to the oil filter (no branch point for other oil users);
- Connect the two oil hoses from the burner to the oil filter.  
Note the arrows. Make sure that the arrow directions of the oil pump and the oil filter correspond (supply and return) (see fig 14).

57-001 oil filter is  
supplied as standard



4-D133 oil filter TOC80  
can be optional



- Install the oil filter higher than the oil pump (only in automatic air vent filters)

## 4.2 Bringing the compact 7 series into use

The oil burner is **tested and set** by the manufacturer. Fine-adjustment must take place after installation and depends on the flue gas system. The boiler must have been brought into use by an installer certified by the manufacturer for the guarantee to be applicable.

You can contact **Kabola Heating Systems** to make an appointment for this.

When everything has been installed:

- Insert the plug in the earthed plug socket.
- Switch the boiler on with the on/off switch on the operating panel. When the light in the switch comes on the circuit is live;
- Set the required boiler temperature between 75 and 80 °C with the boiler thermostat (see fig 15);
- Make the room thermostat active by for example setting the temperature 5 degrees higher than the ambient temperature (also see the room thermostat manual);
- Open the fuel tank valve;
- Open the oil filter valve by turning the red button to the left fully open;
- If the red (failure) oil burner light comes on reset it by pressing it. The light goes off and after  $\pm 1.5$  minute the burner will start;
- Check that oil appears in the upper glass bowl;
  - The oil must clear
  - No foaming may take place
- If oil is present the burner will burn. If there is no oil present the oil burner displays a failure. Reset the oil burner again by pressing the red light. (Repeat this step a maximum of 5 times);
- Check the steps in section 4.1.6 if no oil appears in the glass bowl;
- When the oil burner is operating check that there are no leaks in any of the oil connections;
- Vent the whole heating system again;
- Check that the boiler switches off when the boiler reaches the set temperature;
- Now turn the pump switch from the zero position to  $\pm 45$  degrees (only with the Compact 7 central heating boiler).

## 5 Operation

### Compact 7 CH

Operating panel Compact 7 CH front

Figure 15-16



Explanation of the operating panel

Set the boiler temperature to 80 degrees Celsius (press boiler thermostat button in and turn).

Key to the boiler display

Numbers	Explanation	Photo
0	Rest position (boiler is on stand-by) Circulation pump stopped	
1	Room thermostat demands heat. Circulation pump operating	
3	Circulation pump further running time. Circulation pump operates for +/- 3 minutes	
	The figure 19 on the right of the display shows the current boiler water temperature	



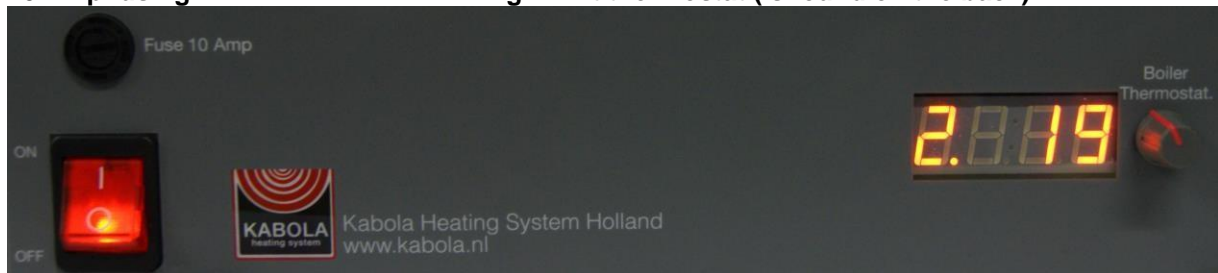
## Compact 7 Calorifier

Operating panel Compact 7 Calorifier (front)

Figure 17

10 Amp fusing

High limit thermostat (is found on the back)



On/off switch

Display boiler thermostat

Explanation of the operating panel

Set the boiler temperature to 80 degrees Celsius (press boiler thermostat button in and turn).

Key to the **boiler** display

Numbers	Explanation	Photo
0	Rest position (boiler is on stand-by) Circulation pump stopped	
1	Room thermostat demands heat. Circulation pump operating	
2	Hot water demand from the boiler (boiler thermostat) Circulation pump operating	
3	Circulation pump further running time 0 seconds	
•	Flashing point = hot water off	
•	Point lit up = hot water stand-by	
	The figure (19) on the right of the display shows the current boiler water temperature	

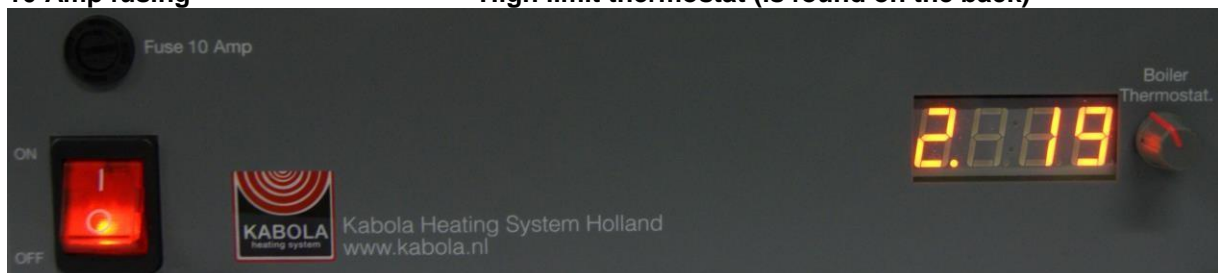
## Compact 7 combi

Operating panel Compact 7 combi (front)

Figure 18

10 Amp fusing

High limit thermostat (is found on the back)



On/off switch

Display boiler thermostat

Explanation of the operating panel

Set the boiler temperature to 80 degrees Celsius (press boiler thermostat button in and turn).

Key to the **combi boiler** display

Numbers	Explanation	Photo
0	Rest position (boiler is on stand-by) Circulation pump stopped	
1	Room thermostat demands heat. Circulation pump operating	
2	Hot water is drawn off. Circulation pump operating	
3	Circulation pump further running time. Circulation pump operates for ± 3 minutes	
4	Tap comfort position Boiler kept at temperature	
•	Flashing point = hot water off	
•	Point lit up = hot water stand-by	
	The figure (19) on the right of the display shows the current boiler water temperature	

## 6 Cleaning and maintenance

### 6.1 Points for attention

Replacement parts must be ordered from Kabola Heating Systems. Only original replacement parts may be used for the guarantee to be applicable. Mention the type and serial number when ordering. Kabola Heating Systems can then supply the correct parts. Annex E includes a summary of the parts.

### 6.2 Cleaning and maintenance

**Warning:** Carry out maintenance and repair activities when the boiler is switched off because the boiler could unexpectedly start up. Remove the plug from the wall socket.

**Warning:** Maintenance and repair activities must be carried out by an accredited installer or a service technician from Kabola Heating Systems.

#### Annually

1. Clean the boiler;
  - 1.1. Remove the oil burner;
  - 1.2. Remove the boiler door;
  - 1.3. Remove the boiler gasket.
  - 1.4. Clean the inside of the boiler using a pipe cleaner;

**Note:** Do not use any aggressive cleaning products when cleaning.

- 1.5. Suck the heating boiler empty with a vacuum cleaner;
  - 1.6. Replace the boiler gasket;
  - 1.7. Replace the boiler door;
2. Clean the flue if necessary.
3. Replace the oil filter cartridge;
4. Clean the burner (see burner manual).
5. Replace the nozzle;
6. Replace the electrode block if required;
7. Replace the photocell if older than 5 years;

**Note:** The old oil filter cartridge must be processed as chemical waste.

It is advised to have the burner settings inspected and adjusted each year by a service technician certified by Kabola Heating Systems.

## 7 Disposal

When disposing of the boiler the following points are important for reasons of safety:

- Dispose of the oil filter and the oil hoses as chemical waste;
- Separate the metal parts and plastic parts and dispose of them separately;
- Dispose of any oil in an environmentally friendly way;
- Transport the discarded boiler according to the instructions in section 3;
- Dispose of this manual with waste paper

# Annex A Technical specifications



## COMPACT 7

Silent, powerful, super efficient, light, space-saving, fully automatic, quickly achieves a pleasant climate, easy operation, easy installation, long life span

The Kabola COMPACT 7 is the smallest diesel-fired central heating system in the world, supplying 7kW. The COMPACT 7 can be supplied as central heating as calorifier and as combi.

Thanks to its reduced installation size and silent, fully automatic operation, this system is suitable for (small) sailing and motor yachts, holiday homes and campers. Permanent occupation and even hot tap water are possible.



Compact 7  
**CH**



Compact 7  
**calorifier**



Compact 7  
**combi**

### SPECIFICATIONS

Type	COMPACT 7 CH	COMPACT 7 calorifier	COMPACT 7 combi
Capacity (in kW)	7	7	7
Width installation size (mm)*	330	330	330
Depth installation size (mm)*	570	620	620
Height installation size (mm)*	340	380	445
CH connection (mm)	22	22	22
Drinking water connection (mm)	-	-	15
Oil connection (internal thread)	3/8	3/8	3/8
Flue gas (diameter in mm)	50	50	50
Dashboard	analogue	digital	digital
Energy efficient circulation pump	+	+	+
Pump timer	+	+	+
Siemens room thermostat	+	+	+
Hot water on/off	-	+	+
Oil filter Floctop	+	+	+
Oil filter Toc 80	- (option)	- (option)	- (option)
Oil filter	- (option)	- (option)	- (option)
External air intake	- (option)	- (option)	- (option)
Fill and drain combination	+	+	+
Voltage (A.C.)	230	230	230
Tap water 60° (p.m. in ltr)	-	-	3
Weight (kg)	47	49	53
Efficiency %	>90	>90	>90
Water content boiler (litres)	15	15	15
Fuel	diesel	diesel	diesel
Fuel consumption L/h	0.9	0.9	0.9
Flue gas temperature °C	190/220	190/220	190/220
Sprayer/Nozzle mm <sup>ø</sup>	0.25/60	0.25/60	0.25/60
Start capacity 230V (W)	285	285	285
Operational capacity 230V (W)	255	255	255

\*dimensions include the assembly of central heating pump and oil burner.



## COMPACT 7: SMALLEST DIESEL-FIRED CENTRAL HEATING SYSTEM IN THE WORLD

Ideal for central heating with radiators and/or combined with hot air heating by Kabola. Very efficient, silent and powerful.

Kabola developed a system whereby it is not necessary to heat with radiators, by using hot air instead. In addition to the simple and space-saving installation possibilities, our system is unique through its ability to be combined with radiators. This will allow you to select the best possible solution.



Air heater

In order to compose an optimum heating system with accompanying central heating boiler, it is important to calculate the exact capacity. The capacity is determined by the volume of the rooms on board, the ship's insulation values and the user's requirements. The sailing season and the area where the ship will sail are also very important. Make sure you are properly advised by a Kabola specialist!

For more information:

Tel: +31(0)347 320 030

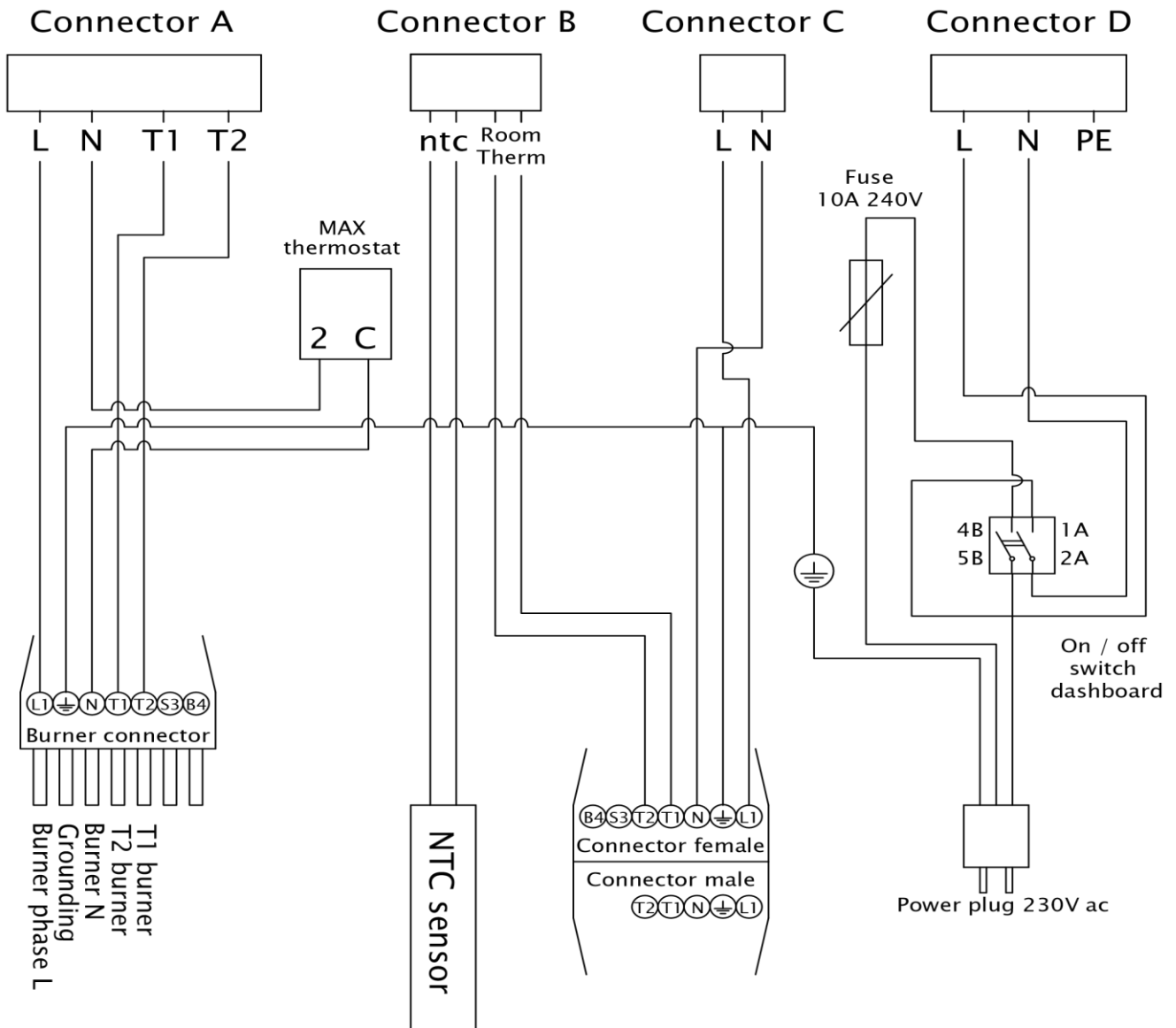
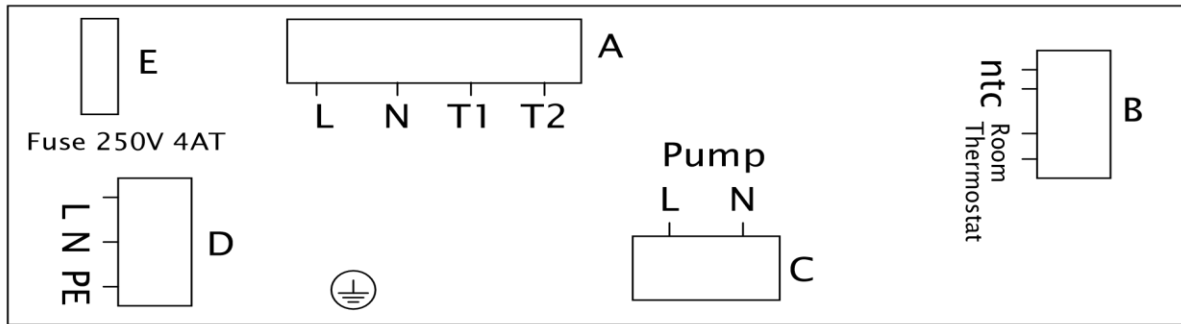
Info@kabola.nl

www.kabola.nl



Annex B Electrical diagram 230 V Compact 7 central heating boiler

Electrical diagram 230V KB/HR/Compact-7 series





## Annex D Troubleshooting

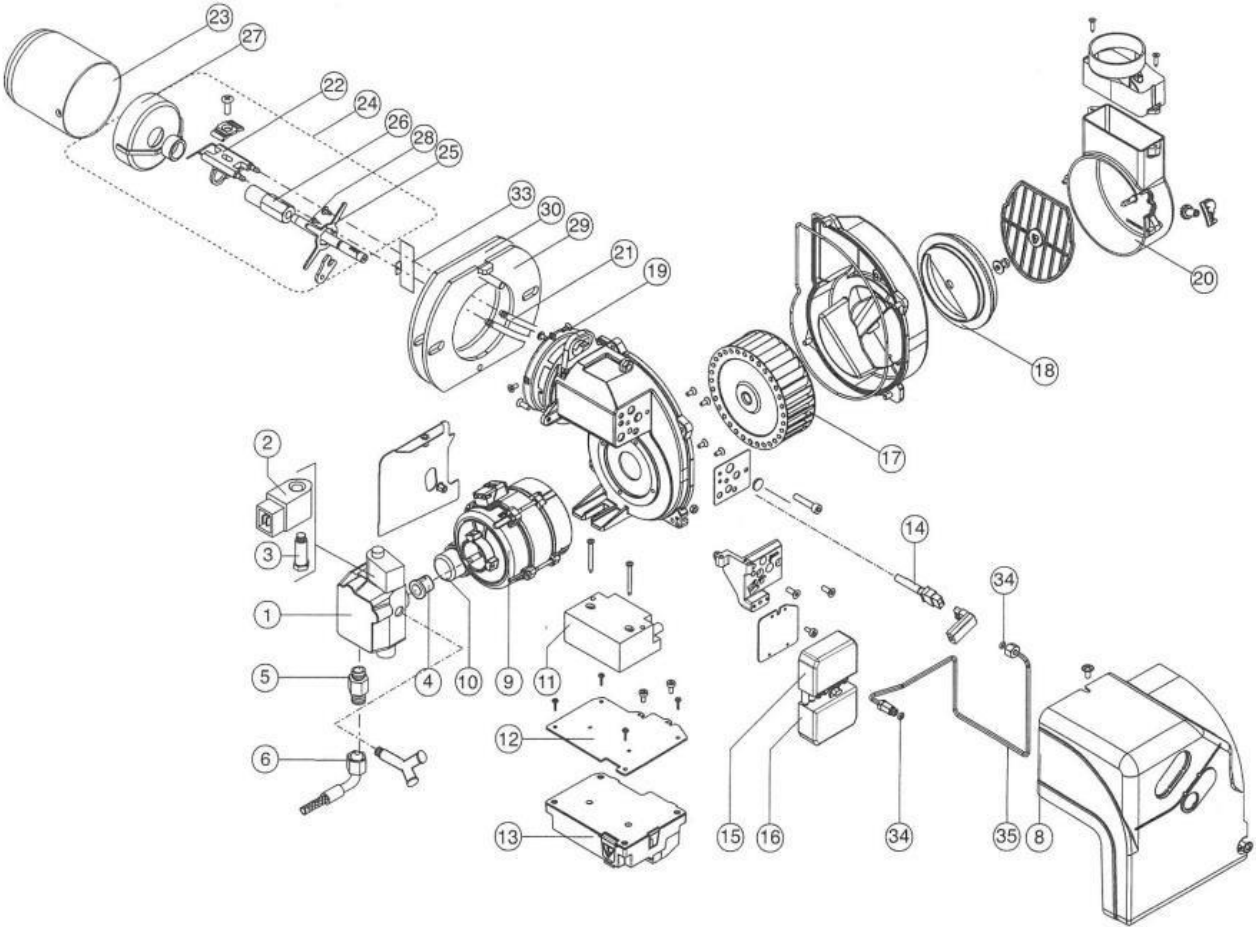
The table below is a list of possible failures, their causes and solutions. If you have problems that are not mentioned in the list you must contact your supplier. **Never try to rectify faults on your own initiative.**

<i>Fault</i>	<i>Possible cause</i>	<i>Possible solution</i>
Burner does not start		
	Power supply failure	Check the fusing on the circuitboard (4-8A)Check the power supply
	High limit thermostat	Reset the high limit thermostat
Burner immediately stops		
	Photocell soiled	Clean photocell glass
	Defective photocell	Replace the photocell
	No oil supply	Vent the oil filter
Burner starts with pulses		
	Circulation affected	Keep flue opening free
	Boiler soiled	Clean the boiler
	Oil supply affected	Vent the oil filter
Burner failure		
	Voltage too low	Check voltage level
	Nozzle defect	Replace the nozzle
Boiler does not respond to room thermostat		
	Room thermostat battery is flat	Replace the battery
	Room thermostat defect	Replace room thermostat
	Three-way valve does not work	Check or replace the three-way valve
Water is not pumped around		
	Air in the system	Vent the system
	Pump switch thermostat defect	Replace pump switch thermostat
	No voltage on the circulation pump	Check the electrical system
	Circulation pump defect	Replace circulation pump
No hot water		
	Incorrect setting	The point is continually on
	Boiler thermostat defect	Check boiler thermostat
	Preferred setting defect	Check preferred setting
	Boiler thermostat defect	Check boiler thermostat
Oil supply affected		Vent the oil filter. Change soiled oil filter. Fill the oil tank

For any continuing problems contact Kabola Heating Systems

Tel.: +31 (0) 347 320 030  
 Email: info@kabola.nl

**Annex E Boiler parts and burner parts**



See the next page for our article numbers.



<u>Pos.</u>	<u>Partnumber</u>	<u>Description</u>
1	58-020	Oil pump
2	58-022	Coil pump Suntec
4	58-025	Coupling
5	58-026	not in our system
6	58-026	Oil hose 1/4" 3/8" for Compact burner
8	58-028	Burner cap Compact
9	58-029	Burnermotor 75W Compact
10	58-031	Capacitor 5 uF Simel
11	58-032	Ignition transformator EBI Compact
12	58-033	Mounting Bracket
13	58-034	Burner control box
14	58-035	Flame monitor Ecoflame burner
15	58-036	Connection 7-pole female
16	58-037	Connector 7-pole male
17	58-038	Fan wheel
18	58-039	Air Flap Burner Compact
19	58-040	O-seal for burner Compact/Mounting flange
20	58-041	Air Cabinet burner Compact
21	58-042	Ignition cable TC burner Compact
22	58-043	Electrode block Ecoflam
23	58-057	Flamm Top TC 88,9 x 85 Compact
24	58-048	Nozzle rod TC L-74 with nozzle support Danfoss FPHB 3 Compacytt Burner
25	58-045	Nozzle rod holder support
26	58-046	Nozzle rod Danfoss FPHB 3
27	58-055	Stuwplate Compact 7
29	58-049	Mounting flange Burner Compact
30	58-050	Flange isolation Compact 7
33	58-045	Nozzle rod holder support
34	58-052	Seal Copper oil pipe complete
35	58-053	Copper oil pipe complete

## Contents - Index - General warnings - Conformity declaration

<b>Overview</b>	Technical data	3
	Working fields	4
	Dimensions	5
<b>Contents</b>	Index	6
	General warnings	6
	Conformity declaration	6
	Burner description	7
<b>Function</b>	General safety functions	8
	E-BCU OIL control and safety unit	9
	Oil burner pump	10
<b>Installation</b>	Burner assembly	11
	Electrical connection	12
	Checks before commissioning	12
	Oil feeding and suction line	13
<b>Start up</b>	Setting data table - air regulation	14
	Adjusting burner output	15
	Oil pressure regulation	15
<b>Service</b>	Maintenance	16
	Troubleshooting	17
<b>Overview</b>	Electrical diagrams	66-67
	Spare parts list	68-71

### Important notes

The MAX burners are designed for the combustion of domestic fuel oil EL in accordance with EN267 standards.

Assembly, commissioning and maintenance must be carried out only by authorised specialists and all applicable guidelines and regulations must be observed.

### Burner description

The MAX burner is a single-stage, fully-automatic monoblock-type burner. It is suitable for use, within its range of performance, with boilers complying with EN 303 or hot-air generators in line with DIN 4794, DIN 30697 or EN 621. Use for any other application requires the approval of Ecoflam.

The following standards should be observed in order to ensure safe, environmentally sound and energy-efficient operation:

### EN 226

Connection of vaporising oil and forced draught gas burners to the heat generator.

### EN 60335-2

Safety of electrical equipment for domestic use.

### Installation location

The burner must not be operated in rooms containing aggressive vapours (e.g. spray, perchloroethylene, hydrocarbon tetrachloride, solvent, etc.) or tending to heavy dust formation or high air humidity. Adequate ventilation must be provided at the place of installation of the furnace system to ensure a reliable supply with combustion air. Variations may arise as a result of local regulations.

### Declaration of conformity for oil burners

We,

**Ecoflam Bruciatori S.p.A.**

declare under our sole responsibility that the light oil burners named

### MAX

conform to the following standards:  
EN 267: 2010  
EN 60335-1: 2008  
EN 60335-2-30: 2006  
EN 60335-2-102: 2007  
EN 55014-1: 2008 + A1: 2009  
EN 55014-2: 1998 + A1: 2001 + A2: 2008

These products bear the CE mark in accordance with the stipulations of the following directives:

2006/95/EEC Low Voltage Directive  
2004/108/EEC EMC Directive  
2006/42/EC Machinery directive

Resana, 28th June 2011  
M. PANIZZON

### We can accept no warranty liability whatsoever for loss, damage or injury caused by any of the following:

- Inappropriate use.
- Incorrect assembly or repair by the customer or any third party, including the fitting of non-original parts.

### Provision of the system and the operating instructions

The firing system manufacturer must supply the operator of the system with operating and maintenance instructions on or before final delivery. These instructions should be displayed in a prominent location at the point of installation of the heat generator, and should include the address and telephone number of the nearest customer service centre.

### Notes for the operator

The system should be inspected by a specialist at least once a year. It is advisable to take out a maintenance contract to guarantee regular servicing.

## Annex F EC declaration

### EC declaration of conformity

We,

Kabola Heating Systems BV Placotiweg 1 e  
4131 NL Vianen (Utr.)  
The Netherlands

declare entirely under our own responsibility that the product:

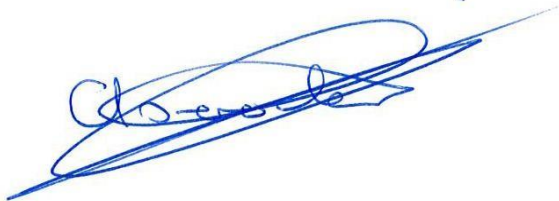
#### **Boiler burner Kabola COMPACT 230 V**

to which this declaration relates, conforms with the following standards:

**EN 303-1, EN 303-2, EN 304, EN 50081-1, EN 50082-1. EN 61010**

according to the provisions of directives 73/23/EEC,  
89/336/EEC,  
92/42/EEC,  
amended by 93/68/EEC.

Vianen, 2015

A handwritten signature in blue ink, appearing to read 'A.A. van Soolingen', is written over a horizontal line.

A.A. van Soolingen, Managing  
Director  
Kabola Heating Systems BV

## Annex G Warranty Conditions

Certificate of Guarantee

### Guarantee conditions:

1. The scope of this guarantee is restricted to the obligations of Kabola Heating Systems B.V. described on the front page of this document. Secondary damages are specifically excluded.
2. The guarantee period for materials and/or construction defects in the construction of the boiler body is five years. For materials and/or other goods supplied by Kabola Heating Systems B.V., a guarantee period of one year applies.
3. If, during the guarantee period it appears that a material or construction defect in a part cannot be repaired, then the relevant part will be replaced free of charge, and if after replacement, it appears that operation can no longer be guaranteed the entire appliance will be replaced. The above is exclusively at the discretion of Kabola Heating Systems B.V.
4. In the event of the repair of defective parts within the guarantee period, a new guarantee period of 1 year applies.
5. Investigation and repair work will usually be carried out by Kabola Heating Systems B.V. at the location stated by the purchaser.

**Travel and accommodation costs are charged at all times, labour costs are to be borne by Kabola Heating Systems B.V.**

If the boiler must be returned to the factory the transport costs are to be borne by the purchaser. Repaired boilers are delivered on an ex-factory basis. The costs of removing the boiler from the heating system and the installation of the boiler are to be borne by the purchaser

6. A claim against the guarantee will not succeed in the event that:
  - the guarantee certificate has been incorrectly or insufficiently completed, or has been altered
  - No purchase receipt showing the date of purchase can be provided for this guarantee certificate;
  - The appliance has been inexpertly repaired, modified or installed;
  - The appliance has not been installed by a Kabola Heating Systems B.V. dealer or by a Kabola Heating Systems B.V. approved installation contractor,
7. In the event of faults please contact the supplier of your Kabola heating appliance. When doing so, please give your name, address, telephone number, type and serial number of your heating appliance.



## Kabola Heating Systems B.V.

Placotweg 1<sup>E</sup>  
4131 NL • Vianen (Utr.) • Holland

T + 31 (0)347 - 320 030  
F + 31 (0)347 - 355 688

info@kabola.nl  
www.kabola.nl